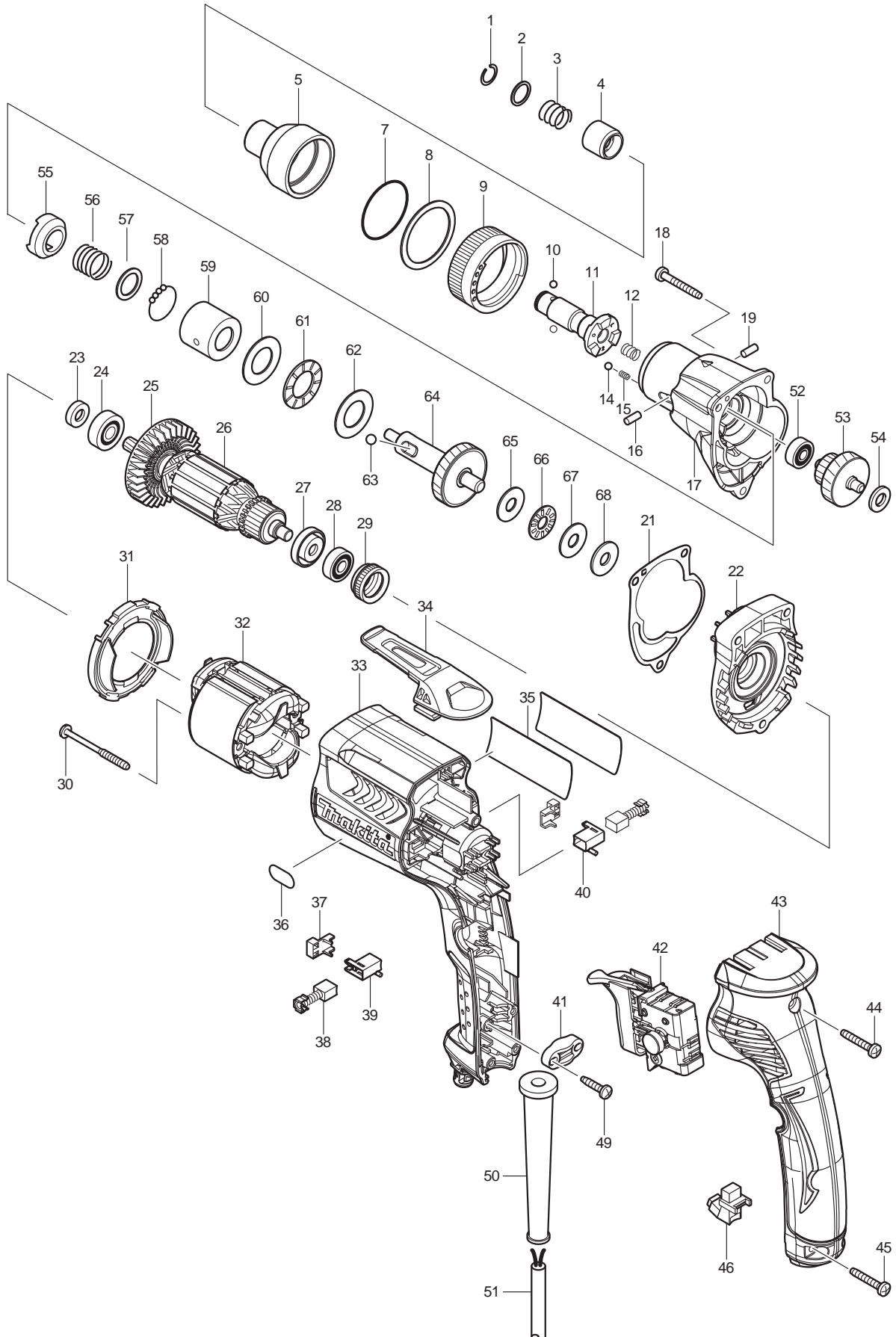




08 - 2010
FS2701
1/4" SCREWDRIVER



Item No	Type	Ref	Part No	Description	Qty	Unit
1			231951-8	RING SPRING 11	1	PC.
2			267085-1	FLAT WASHER 12	1	PC.
3			233005-7	COMPRESSION SPRING 13	1	PC.
4			324420-7	SLEEVE	1	PC.
5			168553-6	CLUTCH COVER B COMPLETE	1	PC.
		INC.	313166-0	BRAKE RING	1	PC.
7			213343-3	O RING 35	1	PC.
8			253806-7	FLAT WASHER 36	1	PC.
9			152841-1	RING 36 COMPLETE	1	PC.
10			216001-0	STEEL BALL 3.5	2	PC.
11			325608-2	SPINDLE 270D2	1	PC.
12			234095-3	COMPRESSION SPRING 6	1	PC.
14			216008-6	STEEL BALL 4	1	PC.
15			233314-4	COMPRESSION SPRING 4	1	PC.
16			268075-7	PIN 4	1	PC.
17			318387-9	GEAR HOUSING TC	1	PC.
18			266361-0	TAPPING SCREW 4X30	3	PC.
19			268075-7	PIN 4	1	PC.
21			442149-4	GASKET	1	PC.
22			158982-1	GEAR HOUSING COVER COMPLETE	1	PC.
23			451099-2	RING 7	1	PC.
24			210007-0	BALL BEARING 608VV	1	PC.
25			240083-0	FAN 52	1	PC.
26			515761-4	ARMATURE ASSEMBLY 115V	1	PC.
		INC.		Item No. 23-25, 27, 28	1	PC.
27			681636-0	INSULATION WASHER	1	PC.
28			210062-2	BALL BEARING 607ZZ	1	PC.
29			421868-5	LABYRINTH RUBBER RING 19	1	PC.
30			266467-4	TAPPING SCREW 4X50	2	PC.
31			450880-8	BAFFLE PLATE	1	PC.
32			633691-8	FIELD 115V	1	PC.
33			450877-7	MOTOR HOUSING S	1	PC.
34			162272-6	HOOK	1	PC.
35			867050-6	FS2701 NAME PLATE	1	PC.
36			808574-3	INDICATION LABEL	1	PC.
37			689111-0	SPACER	2	PC.
38			195007-0	CARBON BRUSH CB-407 2PC/SET, W/O ORIGIN	1	SET
39			643952-8	BRUSH HOLDER	1	PC.
40			643953-6	BRUSH HOLDER	1	PC.
41			687123-7	STRAIN RELIEF	1	PC.
42			650614-1	SWITCH	1	PC.
43			158877-8	HANDLE COVER S COMPLETE	1	PC.
		INC.	263002-9	RUBBER PIN 4	2	PC.
44			266374-1	TAPPING SCREW 4X25	1	PC.
45			266374-1	TAPPING SCREW 4X25	2	PC.
46	1		631880-9	LIGHT CIRCUIT	1	PC.
	2		631938-4	LIGHT CIRCUIT	1	PC.
49			265995-6	TAPPING SCREW 4X18	2	PC.
50			682559-5	CORD GUARD 8	1	PC.
51			664891-9	CORD WITH PLUG 2P-18-2.5M SJ	1	PC.
52			211012-0	BALL BEARING 606ZZ	1	PC.
53			226157-1	GEAR COMPLETE 17-39	1	PC.
54			267017-8	FLAT WASHER 8	1	PC.

Item No	Type	Ref	Part No	Description	Qty	Unit
55			223073-8	CLUTCH CAM	1	PC.
56			231423-3	COMPRESSION SPRING 13.6	1	PC.
57			253837-6	FLAT WASHER 14	1	PC.
58			216014-1	STEEL BALL 3.2	16	PC.
59			324209-3	SLEEVE	1	PC.
60			216216-9	WASHER 1730	1	PC.
61			216423-4	THRUST NEEDLE CAGE 1730	1	PC.
62			216216-9	WASHER 1730	1	PC.
63			216011-7	STEEL BALL 5.6	3	PC.
64			158892-2	SPUR GEAR 35 COMPLETE	1	PC.
65			216212-7	WASHER 821	1	PC.
66			216415-3	THRUST NEEDLE GAUGE 821	1	PC.
67			216212-7	WASHER 821	1	PC.
68			261111-8	URETHANE WASHER 8	1	PC.
69			892811-5	CLEAR LABEL (Added)	1	PC.
100			654121-6	TAB	4	PC.
101			654593-5	SPLICE	6	PC.
200			870236-3	CARTON	1	PC.
<u>ACCESSORIES</u>			- See catalogue or visit www.makita.ca for more optional accessories -			
A01			784202-3	PHILLIPS BIT 2-45	1	PC.
			784203-1	PHILLIPS BIT 2-65	1	PC.
A02			784802-9	MAGNETIC SOCKET BIT 3/8-65	1	PC.
			784803-7	MAGNETIC SOCKET BIT 1/4-65	1	PC.
			784804-5	MAGNETIC SOCKET BIT 5/16-65	1	PC.
			784805-3	MAGNETIC SOCKET BIT 7/16-65	1	PC.
A03			824890-5	PLASTIC CARRYING CASE	1	PC.
		INC.	163455-1	LATCH	2	PC.
		INC.	419360-3	HANDLE	1	PC.